

TITLE / DESCRIZIONE  
Double hole (135-175mm adjustable center distance) wall mount mixing faucet with 220mm Sanitary Lever with 190mm swivel nozzle. G1/2" male inlets, high flow ceramic cartridge, brass, chrome plated, Sanitary black Lever – fiber glass reinforced Polyamide.

DRN / DIS

CHD / VER

APPR

SCALE /  
SCALA 1:4

DATE /  
DATA 20/07/2020

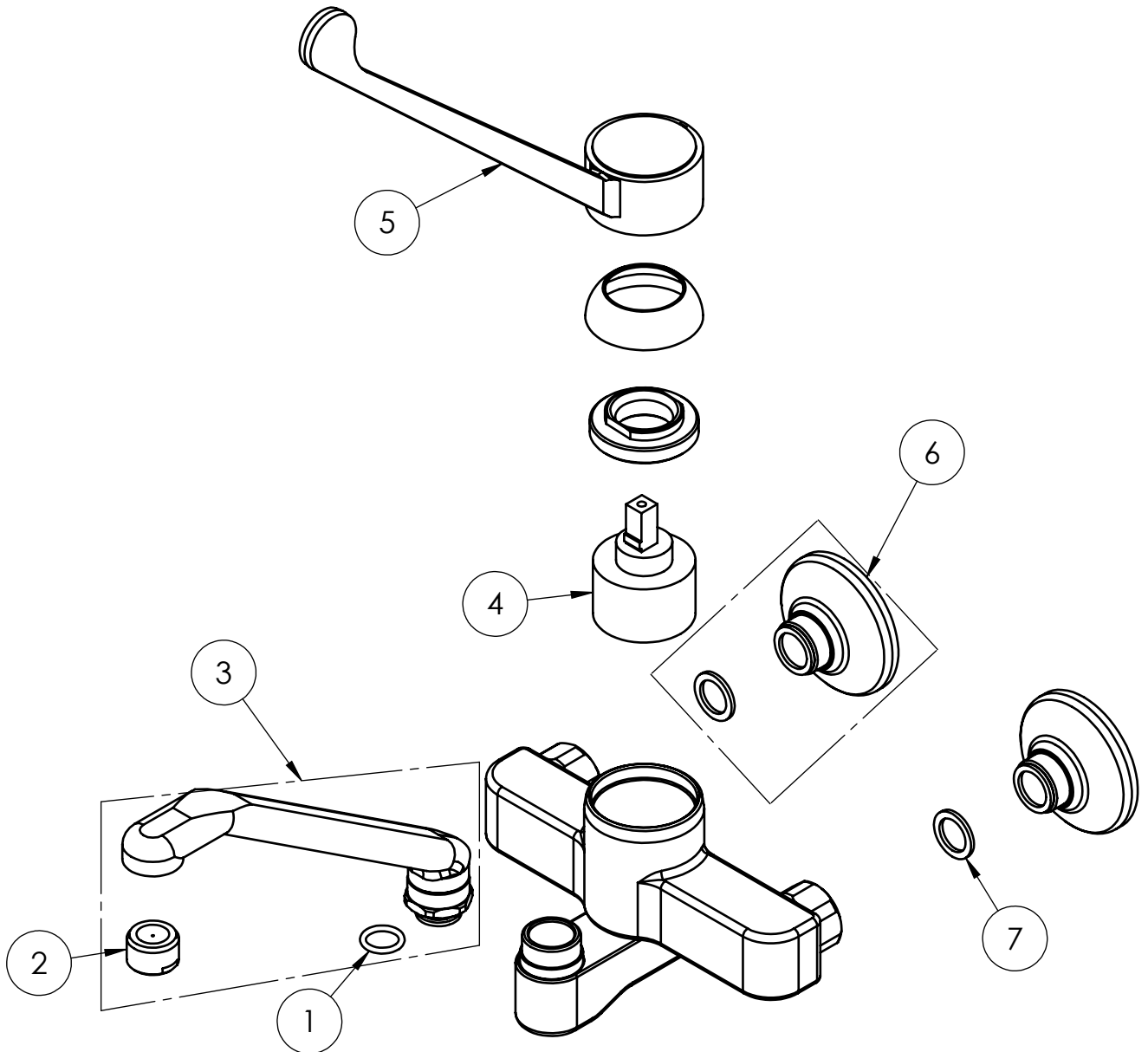
SHEET /  
PAG 1 of 2

NUMBER / CODICE DIS.

MODEL / PRODOTTO  
1S.4021.45.76

A4V

ITEM NO.	SALES NO.	DESCRIPTION
1	P205	O-RING Ø15.10x2.70 EPDM
2	P065	FLOW REGULATOR M24x1
3	C045	SWING NOZZLE L.190
4	V070	Ø47 MIXING CARTRIDGE
5	H006	ELBOW OPERATED BLACK LEVER (L.220mm)
6	P087	G1/2" MALE ECCENTRIC FLANGE
7	P107	FLAT GASKET 3/4" Ø24x17sp.2mm



**TITLE / DESCRIZIONE**

Double hole (135-175mm adjustable center distance) wall mount mixing faucet with 220mm Sanitary Lever with 190mm swivel nozzle. G1/2" male inlets, high flow ceramic cartridge, brass, chrome plated, Sanitary black Lever – fiber glass reinforced Polyamide.

DRN / DIS

CHD / VER

APPR

SCALE /  
SCALA 1:3

DATE /  
DATA 20/07/2020

SHEET /  
PAG 2 of 2

NUMBER / CODICE DIS.

MODEL / PRODOTTO  
1S.4021.45.76

A4V