

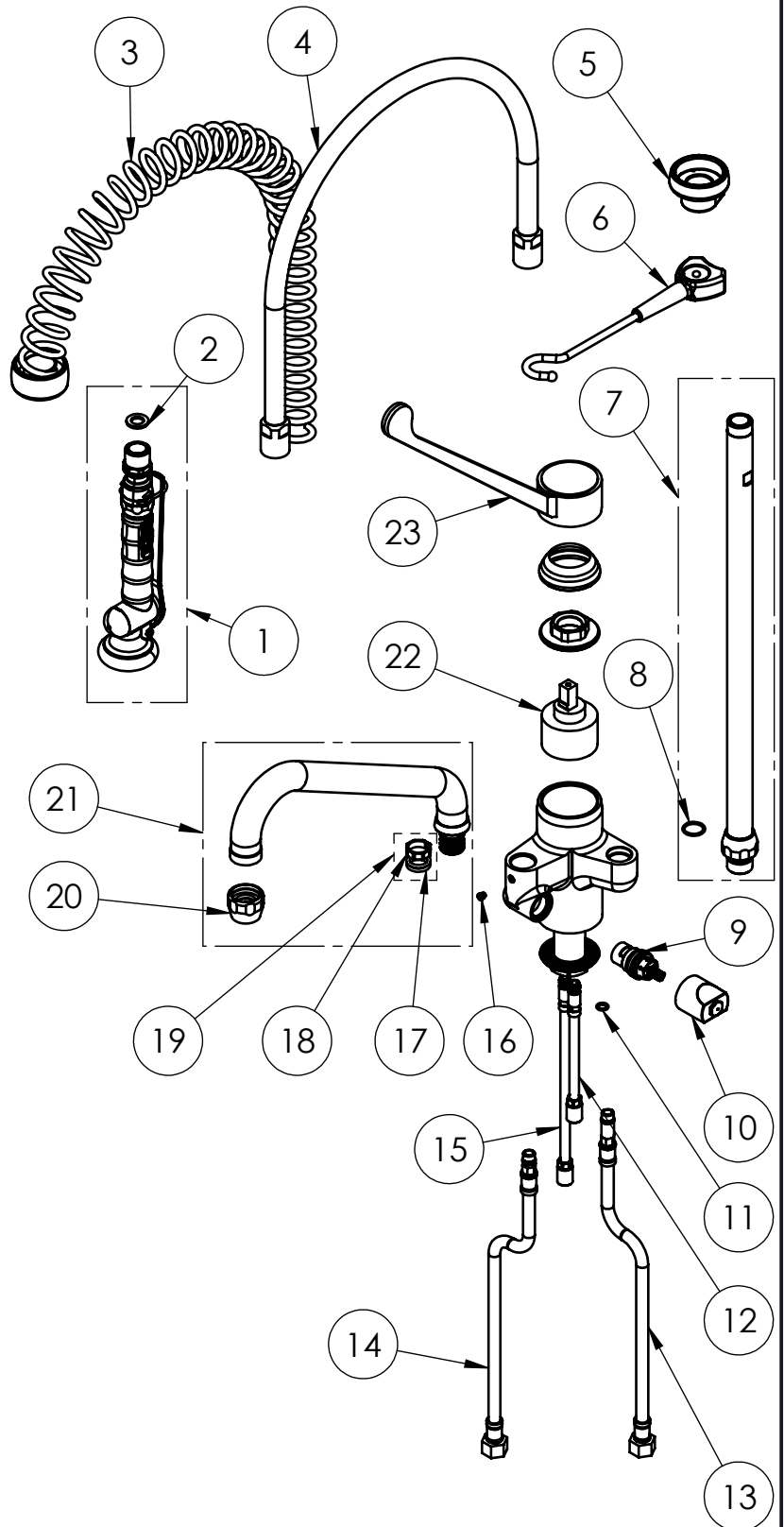
-Nominal Flow Rate: 8 l/min (spout); 14 l/min (spray valve).
-Rough-In Requirement:
29mm Mounting Hole

TITLE / DESCRIZIONE 80 cm-tall SHRINK Single hole, mixing temperature, deck mount Pre-Rinse Unit with 220mm long Sanitary Lever and 245mm swivel nozzle (Ø 25mm). 50mm-long mounting shank, G3/8" female inlets with check valves, high flow ceramic cartridge, riser tube - stainless steel, brass, chrome plated, black details. Sanitary Lever – fiber glass reinforced Polyamide. 14L/min KLARCO "BEST PRO" spray valve.	DRN / DIS	CHD / VER	APPR
	SCALE / SCALA 1:8	DATE / DATA 26/03/2020	SHEET / PAG 1 of 2
	NUMBER / CODICE DIS.	MODEL / PRODOTTO 280N.R031N	

This drawing contains proprietary information which is the property of KLARCO S.R.L. without whose written permission it may not be copied, shown or handed to a third party or otherwise used

Questo disegno contiene informazioni di proprietà di KLARCO S.R.L. e senza la sua autorizzazione scritta non può essere copiato, mostrato o ceduto a terzi o in qualsiasi altro modo usato

ITEM NO.	SALES NO.	DESCRIPTION
1	P499/"color"	SPRAY VALVE "BEST PRO" (specify the color)
2	P074	FLAT GASKET 1/2" Ø18,5x11 sp.2mm
3	P623/"color"	OVERHEAD SPRING KL80 (specify the color)
4	P510	82cm Ø17 F1/2"xF1/2" FLEXIBLE HOSE
5	P090	SHRINK SPRING SUPPORT
6	P599/"color"	SPRAY VALVE HOOK (specify the color)
7	P624	KL70-80 RISER W.O-RING
8	P076	O-RING 2062 (Ø15.6x1.78), EPDM 70 PEROX
9	V0C0/D	1/2" CERAMIC HEADWORK (RH)
10	H010	DIVERTER KNOB
11	P158	O-RING 106 (Ø6.75x1.78), EPDM 70
12	P616	EXTENSION COPPER PIPE L.140mm w.O-RING
13	F182	L.35cm Flex S.S. Hose Ø10-DN6X Female G3/8" W.Backflow Preventer (L)
14	F181	L.35cm Flex S.S. Hose Ø10-DN6X Female G3/8" W.Backflow Preventer (C)
15	P617	EXTENSION COPPER PIPE L.210mm w.O-RING
16	P236	SPOUT SCREW (short)
17	P072	O-Ring 119 (Ø 15,08 x 2,62mm) EPDM 70
18	P592	SWIVEL SLEEVE
19	P613	#2 OR+#1 SWIVEL SLEEVE KIT FOR FAUCET/OUTLET
20	P621	STREAM REGULATOR OUTLET (Ø25 SPOUT) W. 2.2GPM FLOW RATE
21	C082/8L	SWING NOZZLE Ø25x245 h.70 W.2.2GPM FLOW RATE
22	V070	Ø47 MIXING CARTRIDGE
23	H006	ELBOW OPERATED BLACK LEVER (L.220mm)



TITLE / DESCRIZIONE
80 cm-tall SHRINK Single hole, mixing temperature, deck mount Pre-Rinse Unit with 220mm long Sanitary Lever and 245mm swivel nozzle (Ø 25mm). 50mm-long mounting shank, G3/8" female inlets with check valves, high flow ceramic cartridge, riser tube - stainless steel, brass, chrome plated, black details. Sanitary Lever – fiber glass reinforced Polyamide. 14L/min KLARCO "BEST PRO" spray valve.

This drawing contains proprietary information which is the property of KLARCO S.R.L. without whose written permission it may not be copied, shown or handed to a third party or otherwise used

Questo disegno contiene informazioni di proprietà di KLARCO S.R.L. e senza la sua autorizzazione scritta non può essere copiato, mostrato o ceduto a terzi o in qualsiasi altro modo usato

DRN / DIS	CHD / VER	APPR
SCALE / SCALA 1:6	DATE / DATA 26/03/2020	SHEET / PAG 2 of 2
NUMBER / CODICE DIS.	MODEL / PRODOTTO 280N.R031N	A4V