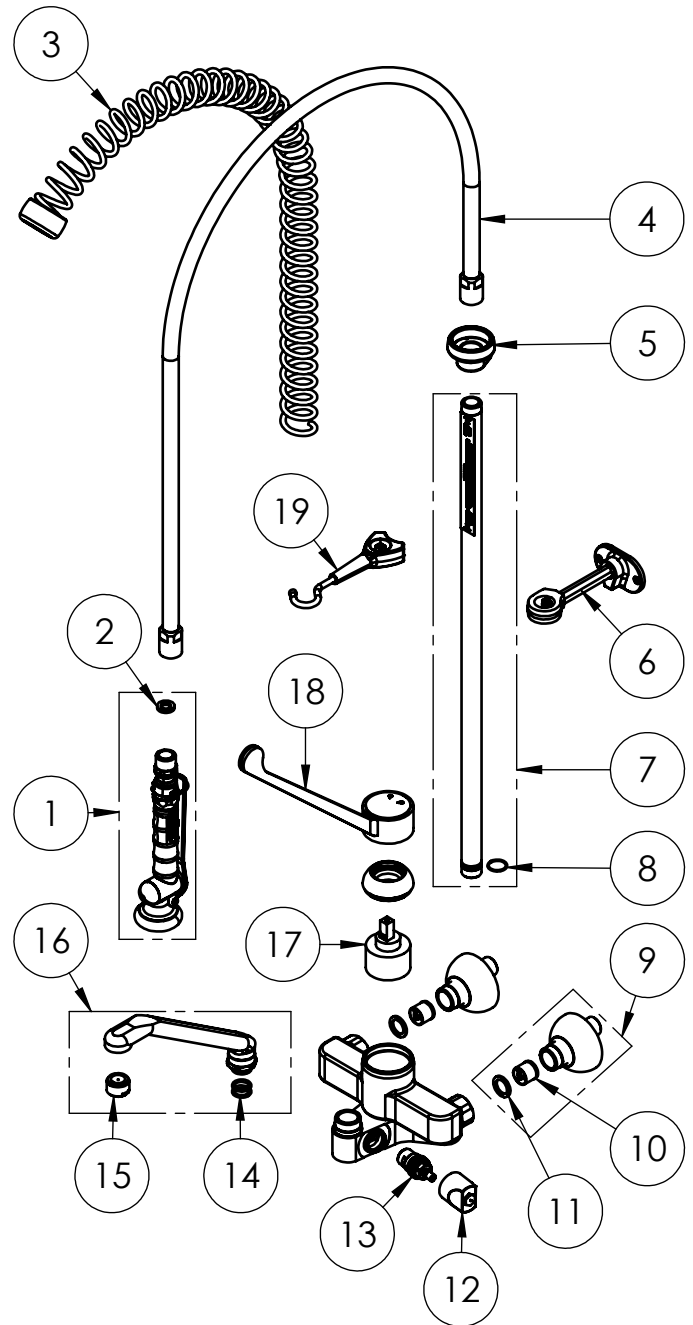


PRODUCT COMPLIANCE:
REACH 1907/2006;
BWGL UBA verified by
DVGW CERT third-party

Lever rotation angle: 110°

<p>TITLE / DESCRIZIONE Double-hole (135-175mm adjustable center distance) wall mount Pre Rinse Unit with 220mm Sanitary Lever mixing faucet with 190mm swivel nozzle, switch for spray valve/ nozzle. G1/2" male inlets with check valves, high flow ceramic cartridge, riser tube - stainless steel, brass, chrome plated, Sanitary BLACK Lever - fiber glass reinforced Polyamide. 14L/min KLARCO "BEST PRO" spray valve</p> <p><small>This drawing contains proprietary information which is the property of KLARCO S.R.L. without whose written permission it may not be copied, shown or handed to a third party or otherwise used</small></p>	DRN / DIS	CHD / VER	APPR
	SCALE / SCALA 1:10	DATE / DATA 28/02/2020	SHEET / PAG 1 of 2
	NUMBER / CODICE DIS.	MODEL / PRODOTTO 2S.4024.19N.76C45	

ITEM NO.	SALES NO.	DESCRIPTION
1	P499/N	SPRAY VALVE "BEST PRO " BLACK
2	P610	GASKET 1/2" Ø18,5x11 sp.3mm, FASIT OMNIA
3	P005	GRAY OVERHEAD SPRING
4	P664	L.110cm F1/2"xF1/2" FLEXIBLE HOSE
5	P090	SPRING SUPPORT
6	P092	Wall Bracket L.115mm (BLACK)
7	P001	650mm G1/2" RISER W.O-Ring
8	P388	O-RING 18,00x1,50 EP70P.A (4270) PEROX
9	P400	G1/2" MALE ECCENTRIC FLANGE w.BACKFLOW PREV.KIT
10	P031	CHECK VALVE DW20-DN15
11	P107	FLAT GASKET 3/4" Ø24x17sp.2mm
12	H010	DIVERTER KNOB
13	V040/D	1/2" CERAMIC HEADWORK (RH)
14	P205	O-RING 15,10x2,70 (su canne bif.mix e 20x320 RT)
15	P065	FLOW REGULATOR M24x1
16	C045	SWING NOZZLE Ø20x180x110
17	V070	CARTUCCIA MISCELATRICE Ø47 per biforo mix (0030110)
18	H02K/N	ELBOW OPERATED BLACK LEVER (L.220mm)
19	P091	SPRAY VALVE HOOK (BLACK)



PRODUCT COMPLIANCE:

REACH 1907/2006;
BWGL UBA verified by
DVGW CERT third-party

TITLE / DESCRIZIONE	DRN / DIS	CHD / VER	APPR
Double-hole (135-175mm adjustable center distance) wall mount Pre Rinse Unit with 220mm Sanitary Lever mixing faucet with 190mm swivel nozzle, switch for spray valve/ nozzle. G1/2" male inlets with check valves, high flow ceramic cartridge, riser tube - stainless steel, brass, chrome plated, Sanitary BLACK Lever - fiber glass reinforced Polyamide. 14L/min KLARCO "BEST PRO" spray valve	SCALE / SCALA 1:8	DATE / DATA 28/02/2020	SHEET / PAG 2 of 2
This drawing contains proprietary information which is the property of KLARCO S.R.L. without whose written permission it may not be copied, shown or handed to a third party or otherwise used	Questo disegno contiene informazioni di proprietà di KLARCO S.R.L. e senza la sua autorizzazione scritta non può essere copiato, mostrato o ceduto a terzi o in qualsiasi altro modo usato	NUMBER / CODICE DIS. MODEL / PRODOTTO 2S.4024.19N.76C45	A4V